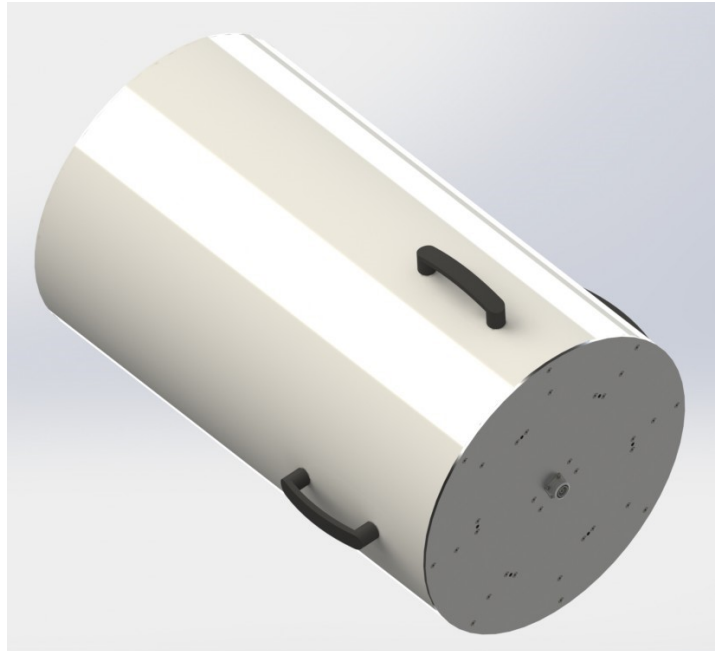


NE0711-0-0 Omnidirectional LHCP Antenna 370-450 MHz



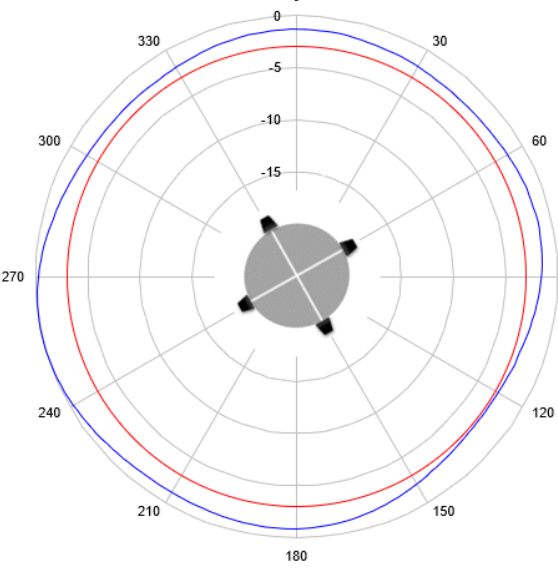
Specifications

RF specification	
Frequency range	370-450 MHz
Rated power	1000W CW
Gain	
Polarization	LHCP
Radiation pattern	Omnidirectional in Azimut >30° @ -3dB in Elevation
Input impedance	50 Ohms
VSWR	< 1.5:1
Mechanical & Environmental specifications	
Dimensions	Ø500mm x 850mm
Weight	15 kg
Connector	7-16 female
Temperature	-30°C to +70°C
Protection	IP53

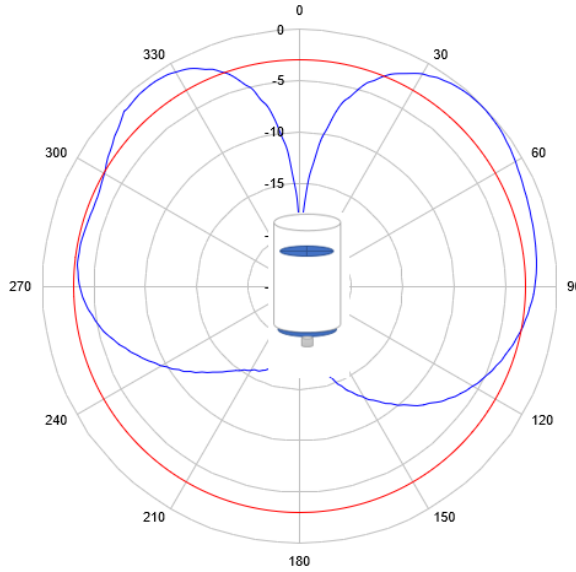
Radiation patterns



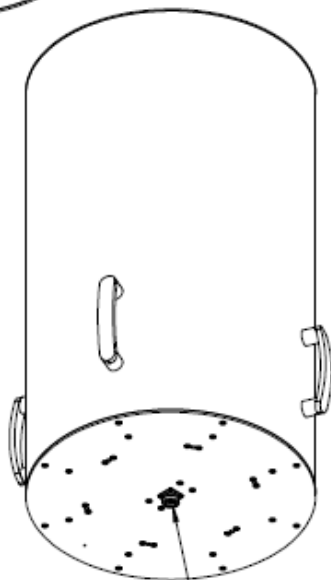
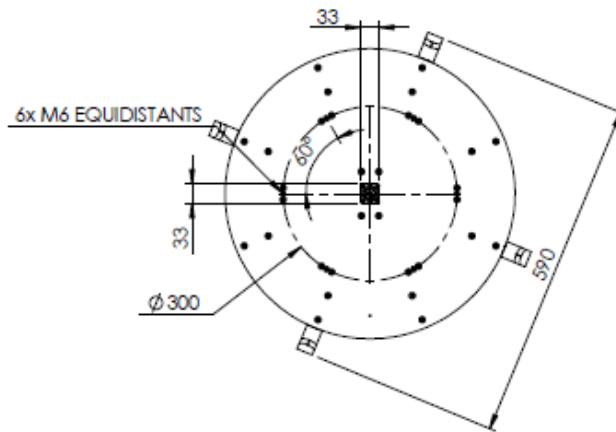
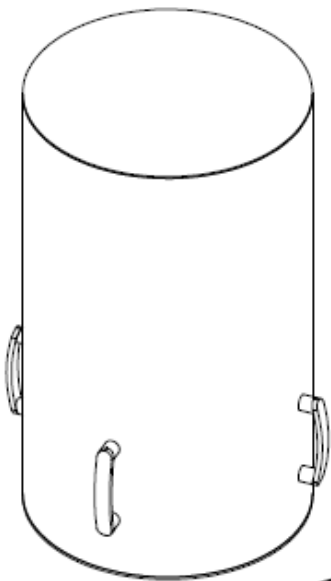
Azimuth NE0711-0-0



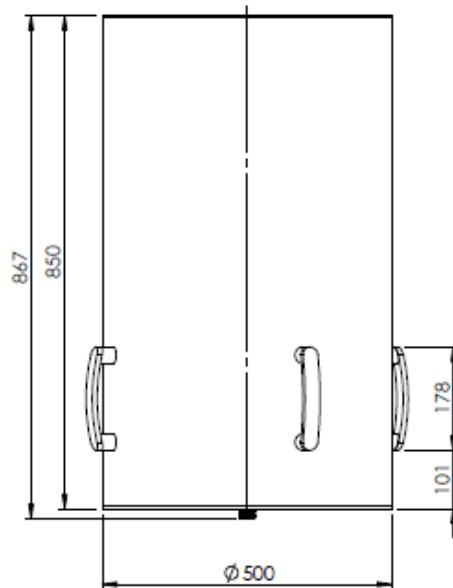
Elevation NE0711-0-0



Mechanical drawing



Connector 7-16 female



HYPTRA

7 Route de Basly
14400 Tailleville

Téléphone : 02 50 30 80 14
Email: Hyptra@hyptra.com