

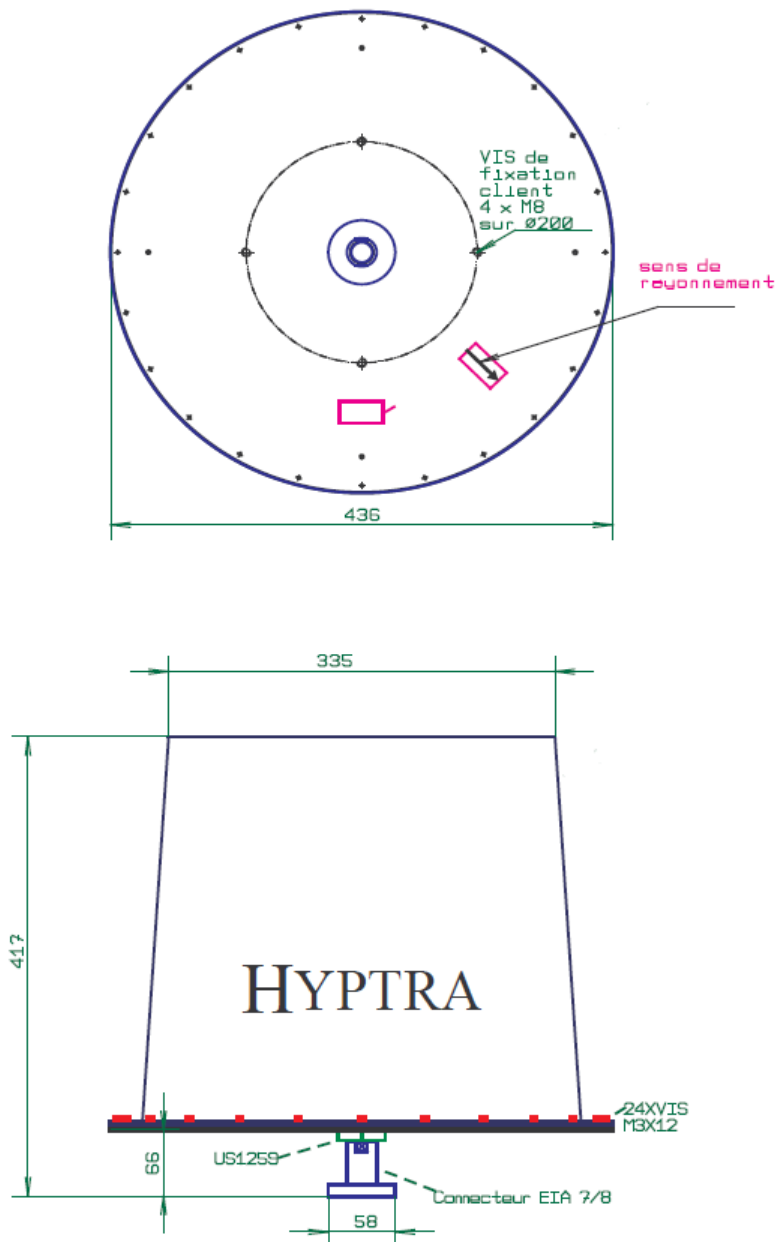
NE0057-A Directive RHCP Antenna 428-438 MHz



Specifications

RF specification	
Frequency range	428-438 MHz
Rated power	150W CW
Gain	3 dBi typ.
Polarization	RHCP
Radiation pattern	170° @ -3dB in Azimut 80° @ -3dB in Elevation
Input impedance	50 Ohms
VSWR	< 1.2:1
Mechanical & Environmental specifications	
Dimensions	Ø436mm x 417mm
Weight	<13 kg
Connector	EIA 7/8
Temperature	-30°C to +70°C
Protection	IP53

Mechanical drawing



HYPTRA

7 Route de Basly
14400 Tailleville

Téléphone : 02 50 30 80 14
Email: Hyptra@hyptra.com